

KERALA KERAKARSHAKA
SAHAKARANA FEDERATION
LIMITED NO.4370



Kerafed Coconut Complex, Mannankavu
Naduvannur-673 614 , Kozhikode
Tel: 0496 2933775
E-mail: kerafedkccn2@gmail.com

KFD/KCC/QUOT/2025/1

19.02.2025

QUOTATION NOTICE

Sir,

Sub: -Inviting quotation for Supply of Mechanical spares at KCCN -reg

Quotations are invited for the Supply of Mechanical spares at Kerafed coconut complex, Naduvannur.

Sl.No	Description of Items	Length	Body	ID	OD	Qty Required
1	2nd stage Forward Worm	4 1/2 Inch	5 1/2	85 mm	7"	3 Nos
2	2nd stage Forward Worm	3 Inch	5 3/4 "	90 mm	7"	4 Nos
3	2nd stage Forward Worm	2 1/2 Inch	5 3/4 "	90 mm	7"	4 Nos
4	Expeller Main Shaft 2nd stage (Mark 3/ Kumar Make)	As per drawing (inner hole not required) / EN 24 material				2 Nos
5	Cutter Blade	150mm*56mm*12mm/As per drawing EN 8 material				132 Nos

Quotations in sealed covers, clearly marked "Quotation for Supply of Mechanical spares," should be addressed to The Plant Manager, KERAFED Coconut Complex, Mannankave (PO), Naduvannur (Via), Calicut, Kerala - or should be submitted via email to kccntech@kerafed.com on or before 28.02.2025.

Terms and Conditions:

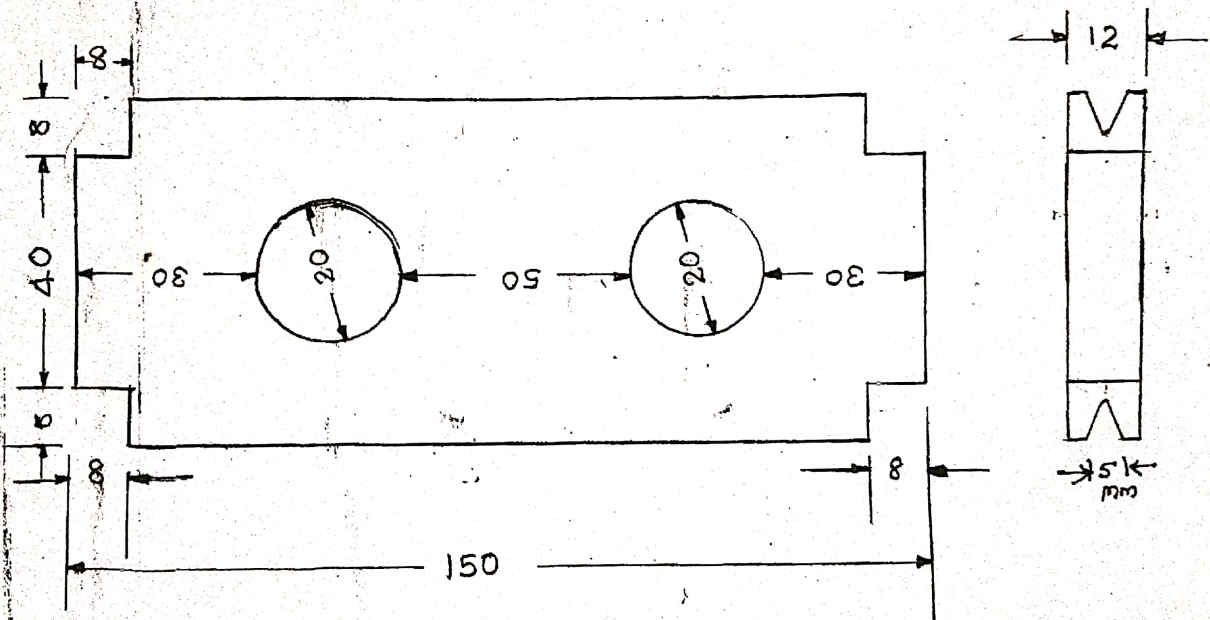
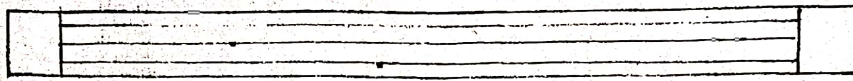
- Payment:** 85% Payment will be made upon delivery and acceptance of the materials. 15% after a defect liability period of 1 year.
- Delivery:** Delivery time, handling charges, and packing & forwarding charges (if applicable) should be clearly stated in the quotation.
- Authorized Manufacturers:** Quotations are invited from authorized dealers/manufacturers only. Proof of authorization may be required.
- Consumables:** The cost of any required consumables should be included in the quoted price. A detailed list of materials and quantities should be provided.
- Warranty and AMC:** The warranty period and details of any available Annual Maintenance Contract (AMC) should be clearly stated.
- Material Specification:** Worms: EN8 Steel with Surface hardening
Expeller Main Shaft: EN 24 Steel
Cutter Blade: EN 8 Steel with hardening
- Right to Accept/Reject:** The Plant Manager reserves the right to accept or reject any or all quotations without assigning any reason.

Yours faithfully,

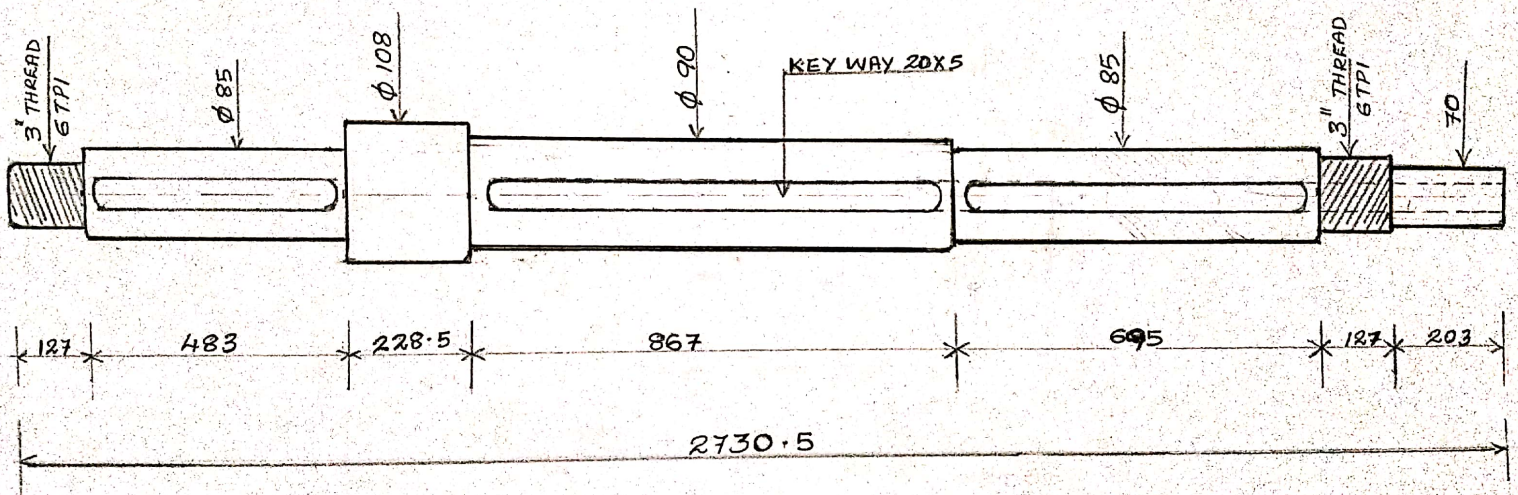


19.02.25

PLANT MANAGER



CUTTER BLADE
MTL - EN8 -
All Dimensions are in mm



MAIN SHAFT - MARK - III
 MATL - EN24

ALL DIMENSIONS ARE IN MM